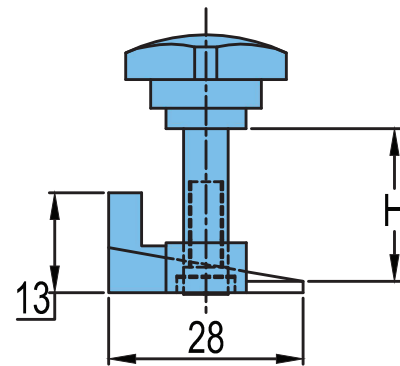
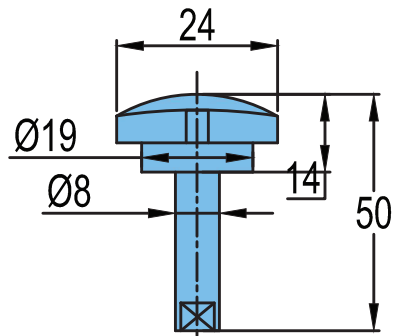


**OA 41**



**Material** Polyamide, Steel Rod

**Finish** Zinc Yellow Plating



H
20
25
30

