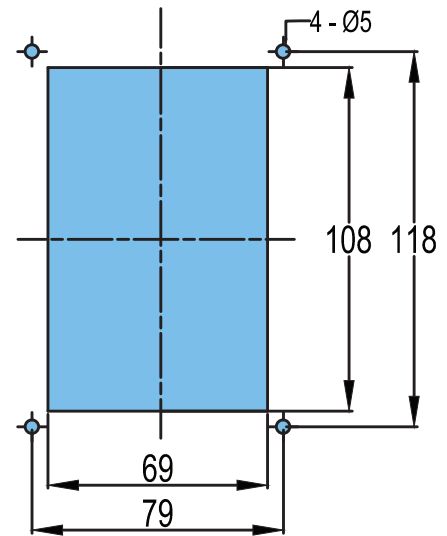
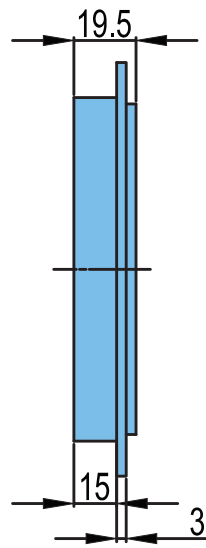
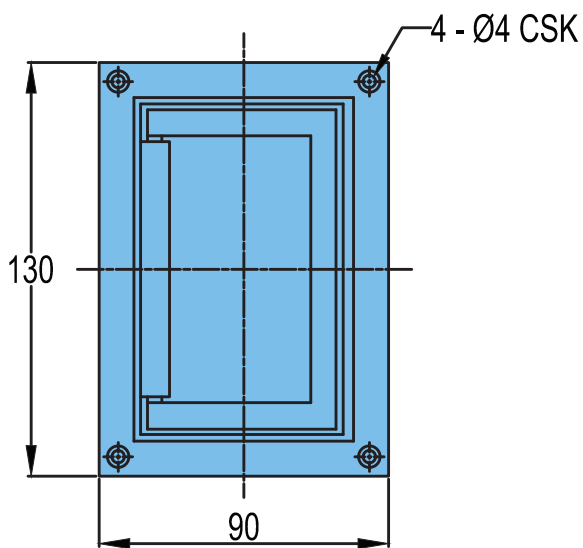


## OA 36 H



**Material** Zinc Die Casting

**Finish** Black Powder Coating



PANEL CUT OUT