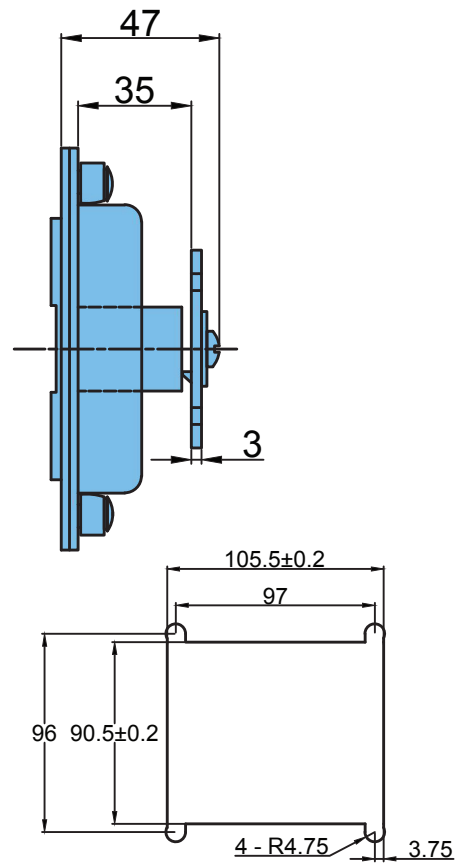
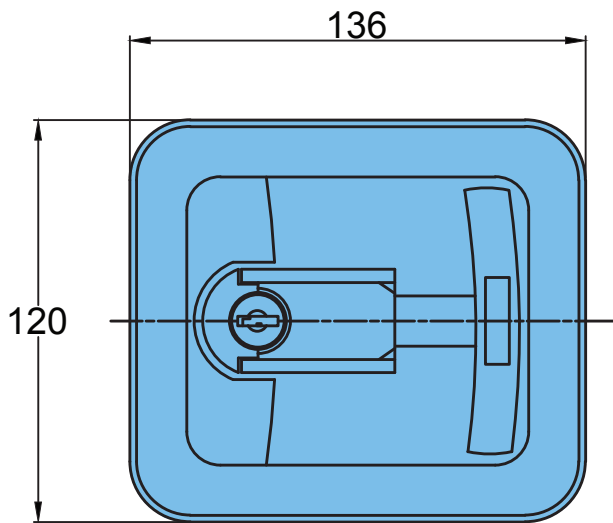


## MS 904-1-1



**Material** PA-6 Handle and Housing,  
M.S.Zinc Plating Cam.



**CUT OUT**