

SHF 04 & 05

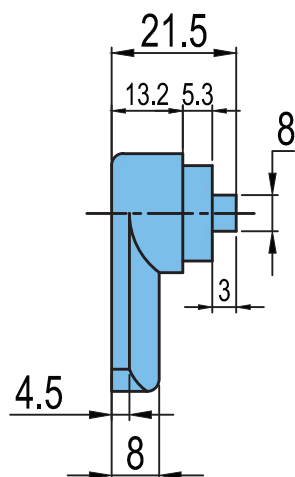
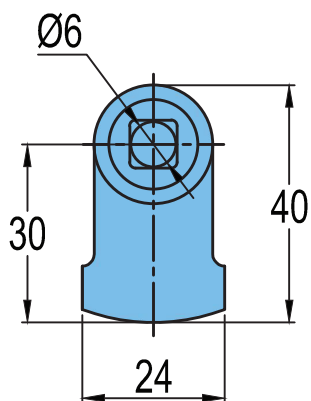


Material Zinc Die Casting.

Finish Zinc Blue Plating / Sand Blasting

3 Point Lock(Flat Rod Accessories)

SHF 04



SHF 05

