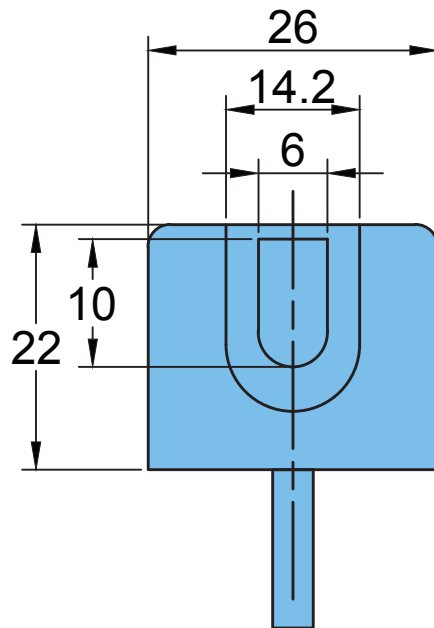


SHF 02 A



Material Polyamide

3 Point Lock (Flat Rod Accessories)



4 Point Lock Foldable
3mm Guide

