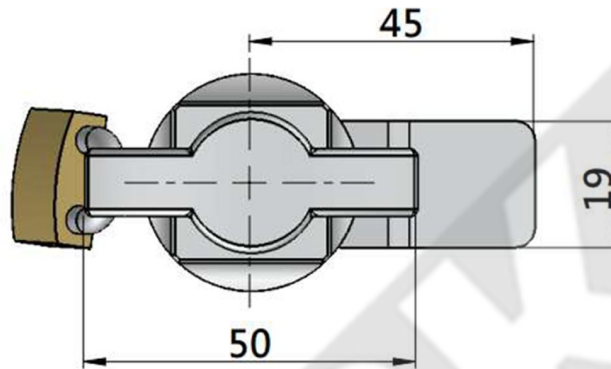


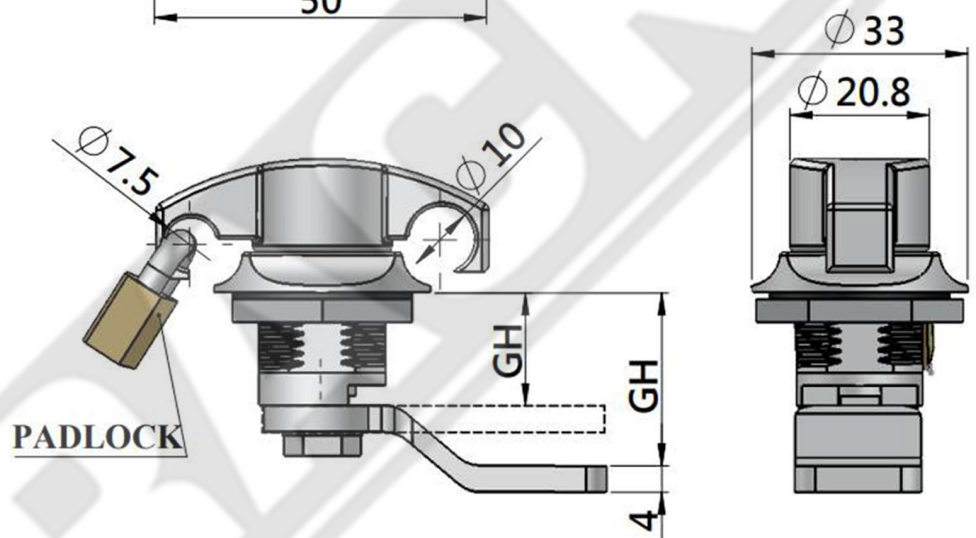
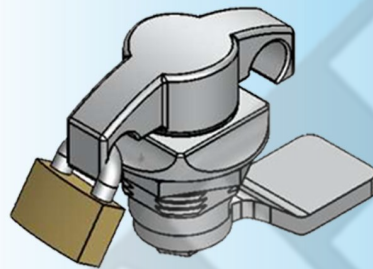


For Product Step File or 3D Model Send a Request Mail To info@nrack.com

Photo View

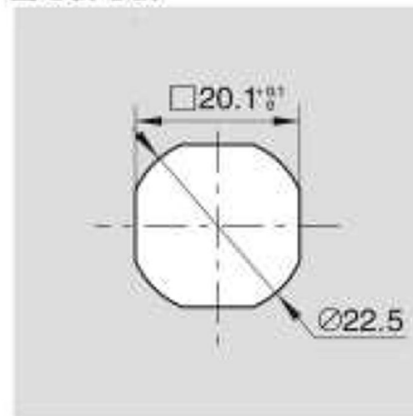


3D Rendered View



MS 7082S-1-1

■ Cut Out



- Material: Sus Body Cam
- Finish: Raw
- Panel Thickness: 1~5mm
- Remark: Cam Size 8x8 Cut Out