

For Product Step File or 3D Model Send a Request Mail To info@nrack.com

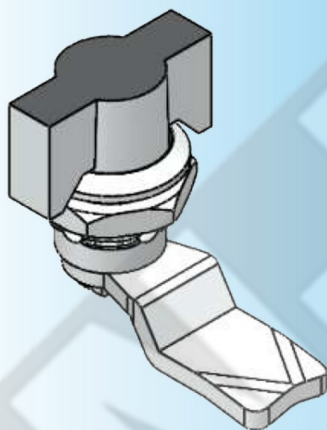
IP54

INOX
AISI
3..

Photo View

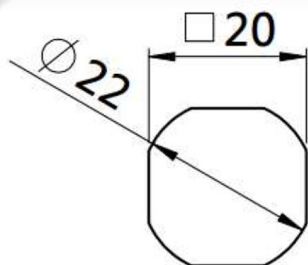
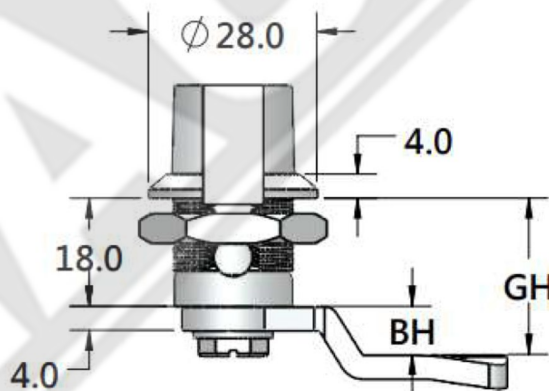
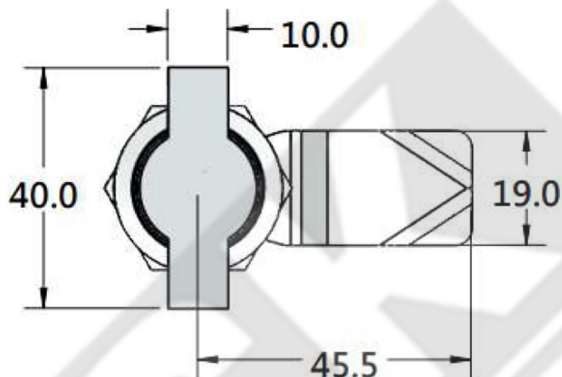


3D Rendered View



MS 408S-1-2

- Material: Stainless body, Cam
- Finish: Raw
- Panel Thickness 1~5mm
- Remark: Cam Size 8x8 Cut out



CUT OUT

GRIPPING HEIGHT (GH)	BENDING HEIGHT (BH)
18	00
25	7
30	12
35	17