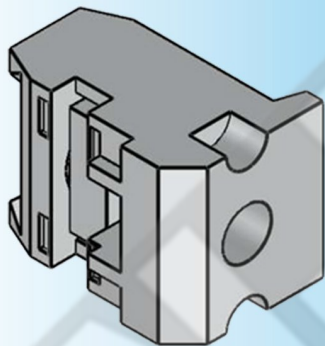


For Product Step File or 3D Model Send a Request Mail To [info@nrack.com](mailto:info@nrack.com)

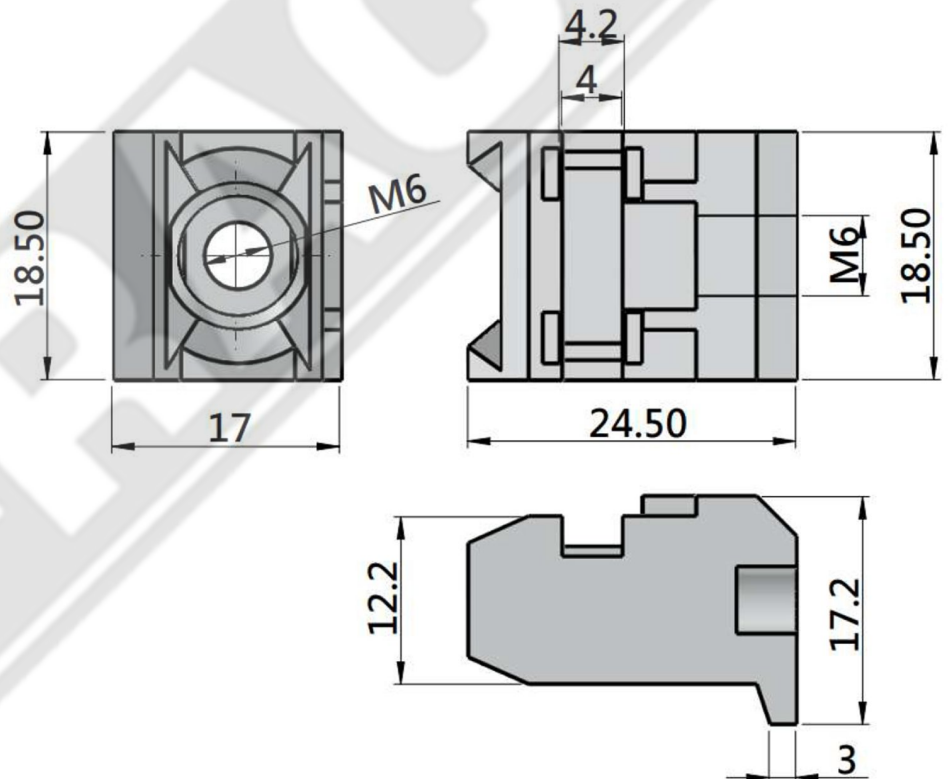
Photo View



3D Rendered View



## Profile Nut



OA - 43

- Material: Steel Nut, Zinc Die Casting Body
- Finish: Sand Blasting