

For Product Step File or 3D Model Send a Request Mail To info@nrack.com

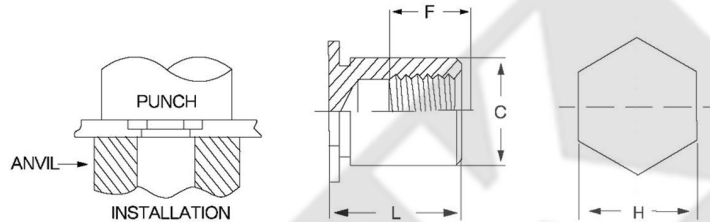
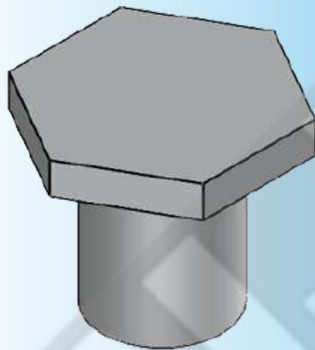


Hexagonal Blind Thread Standoffs

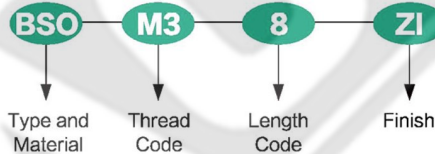
Photo View



3D Rendered View



Part Number Designation



Thread Code	Rec Min. Sheet Thickness	C -.005	H Nom.	Hole size In Sheet +.003
440	.040	.165	.187	.166
6440	.040	.212	.250	.213
632	.040	.212	.250	.213
8632	.050	.280	.312	.281
832	.050	.280	.312	.281
032	.050	.280	.312	.281

Thread Code	Rec Min. Sheet Thickness	C -0.13	H Nom.	Hole size In Sheet +0.08
M2.5	1.02	4.2	4.75	4.22
M3	1.02	4.2	4.75	4.22
3.5M3	1.02	5.39	6.35	5.41
M3.5	1.02	5.39	6.35	5.41
M4	1.27	5.98	7.0	6.00
3.5M4	1.27	7.12	8.0	7.14
M5	1.27	7.12	8.0	7.14
M6	1.30	8.72	10.0	8.75

All dimensions are in inches(Size Unit:inch)

Thread Size	Type			Thread Code	Length "L" +.002-.005(Length code is in 32ths of an inch)												Min. Dist Hole C/L To Edge	
	Steel	Stainless Steel	Aluminum		.312	.375	.437	.500	.562	.625	.687	.750	.812	.875	.937	1.00		1.062
UNIFIED .112-40(#4-40)	BSO	BSOS	BSOA	440	10	12	14	16	18	20	22	24	26	28	30	32	34	.23
				6440														
				632														
UNIFIED .138-32(#6-32)	BSO	BSOS	BSOA	8632	10	12	14	16	18	20	22	24	26	28	30	32	34	.27
				832														
UNIFIED .164-32(#8-32)	BSO	BSOS	BSOA	032	10	12	14	16	18	20	22	24	26	28	30	32	34	.31
UNIFIED .190-32(#10-32)	BSO	BSOS	BSOA		10	12	14	16	18	20	22	24	26	28	30	32	34	.31
F Dimension Min.						.156	.187		.250					.375				

All dimensions are in millimeters(Size Unit:mm)

Thread Size	Type			Thread Code	Length "L" +0.05-0.13(Length Code is in millimeters)												Min. Dist Hole C/L To Edge	
	Steel	Stainless Steel	Aluminum		6	8	10	12	14	16	18	20	22	25	/	/		/
METRIC M2.5X0.45	BSO	BSOS	BSOA	M2.5	6	8	10	12	14	16	18	20	22	25	/	/	/	6
				M3														
				3.5M3														
				M3.5	6	8	10	12	14	16	18	20	22	25	/	/	/	
				M4	6	8	10	12	14	16	18	20	22	25	/	/	/	
				3.5M4	6	8	10	12	14	16	18	20	22	25	/	/	/	
M4X0.7	BSO	BSOS	BSOA	M5	6	8	10	12	14	16	18	20	22	25	/	/	/	8
M5X0.8	BSO	BSOS	BSOA	M6	6	8	10	12	14	16	18	20	22	25	/	/	/	8
M6X1.0	BSO	BSOS	BSOA		6	8	10	12	14	16	18	20	22	25	/	/	/	9
F Dimension Min.						3.2	4	5	6.5				9.5					

OA - 38 - 1

- Material: Steel
- Finish: Zinc Blue Plating