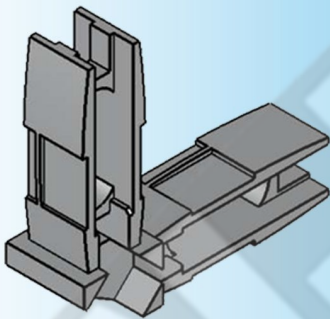


For Product Step File or 3D Model Send a Request Mail To info@nrack.com

Photo View

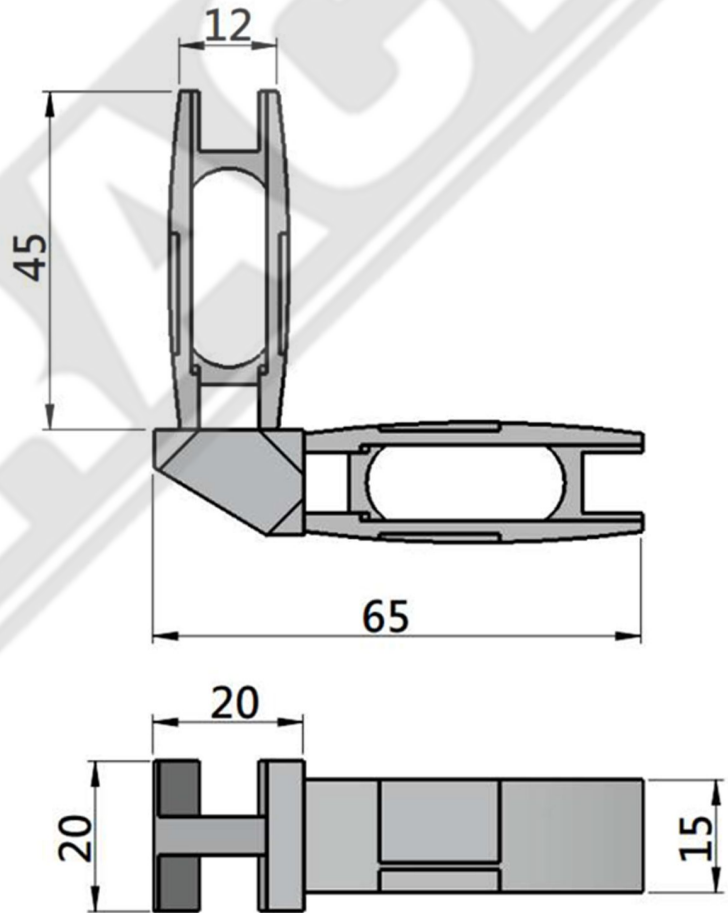


3D Rendered View



OA - 19

Corner Joint for Stiffner



- Material: Zinc Die Casting
- Finish: Zinc Blue Plating