

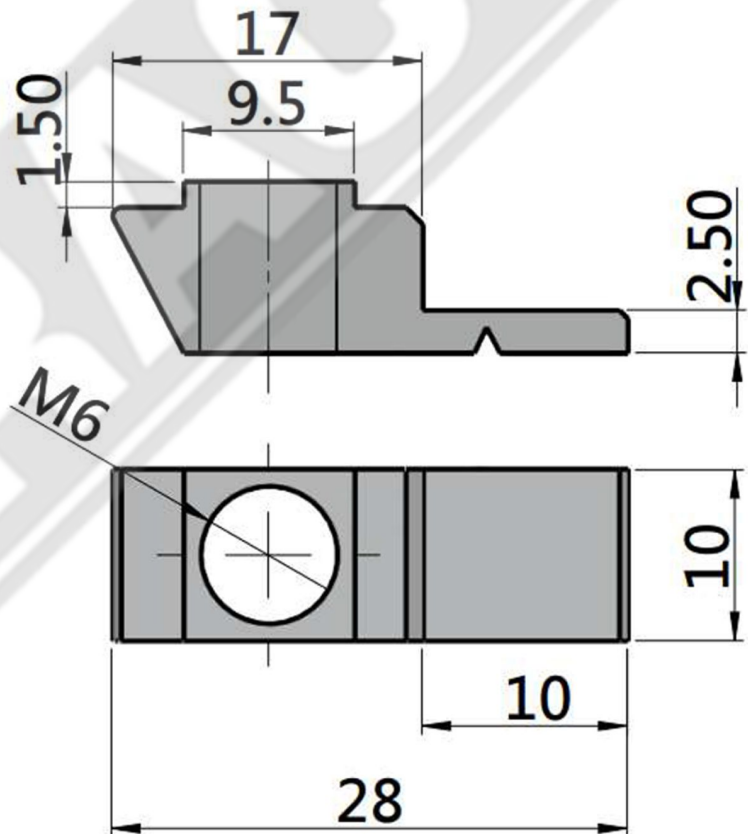
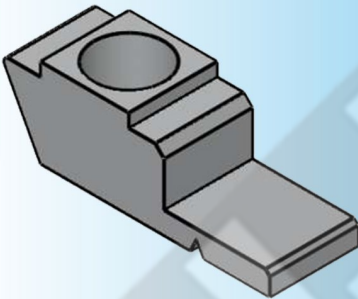
For Product Step File or 3D Model Send a Request Mail To info@nrack.com

Photo View



M6 Step Nut

3D Rendered View



OA - 10

- Material: Zinc Die Casting
- Finish: Zinc Blue Plating