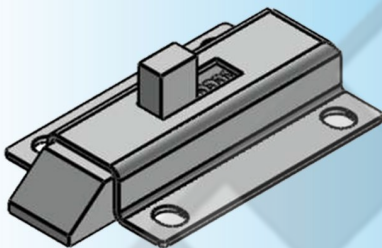


For Product Step File or 3D Model Send a Request Mail To info@nrack.com

Photo View

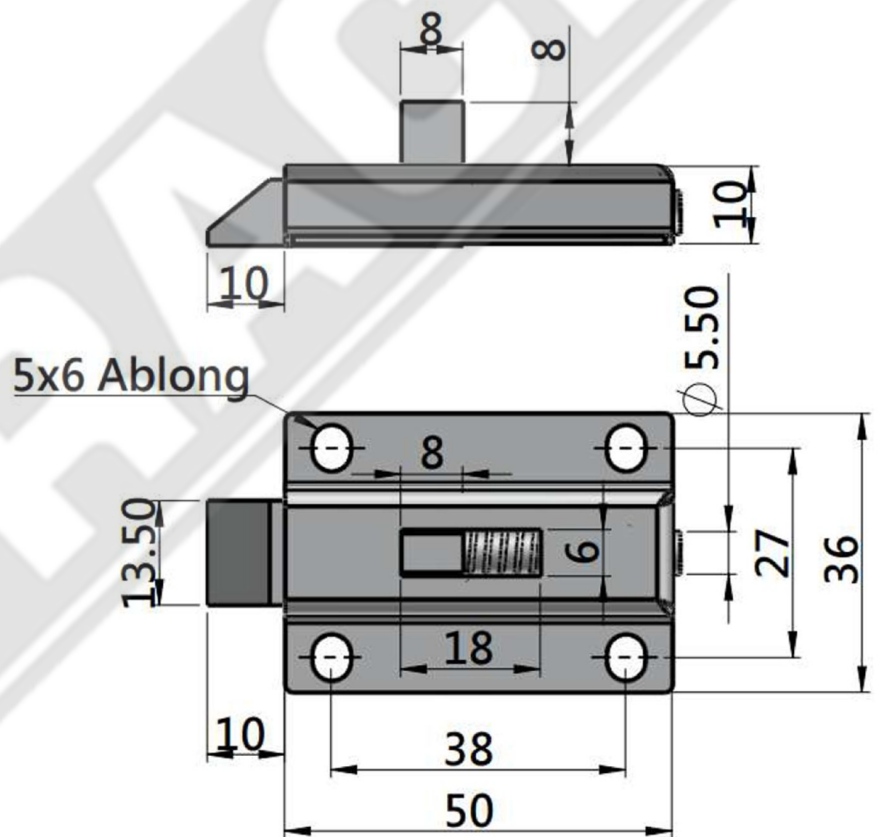


3D Rendered View



MX - 03

Door Latch



- Material: Steel & Zinc Die Casting
- Finish: Zinc Blue Plating