

For Product Step File or 3D Model Send a Request Mail To info@nrack.com

Photo View



DKS-1

DKS-1-1

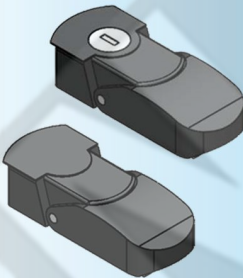


DKS-2



DKS-1-2

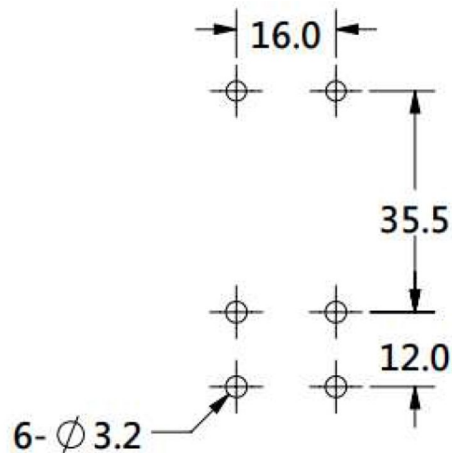
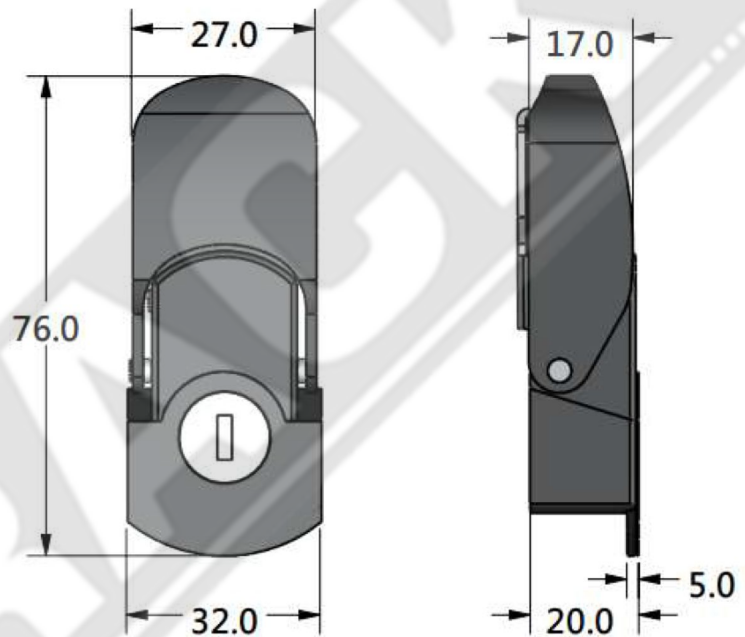
3D Rendered View



DKS - 1 - 1

- Material: Zinc-die casting body
- Finish: Bright chrome plating, Gray chrome plating, Black powder coated
- panel thickness: 1~4mm

Door Latch



CUT OUT