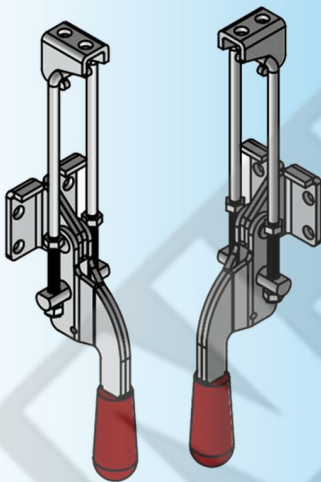


For Product Step File or 3D Model Send a Request Mail To info@nrack.com

Photo View



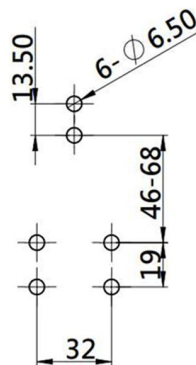
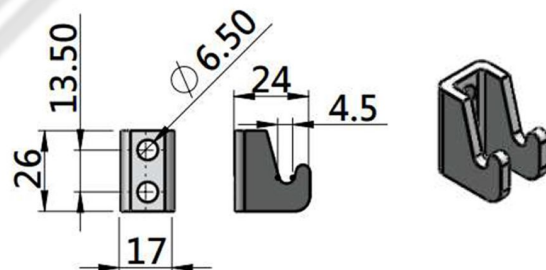
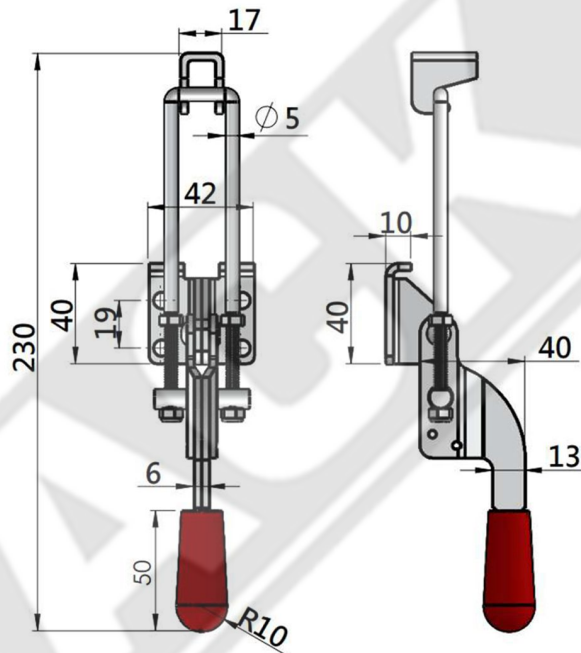
3D Rendered View



DK - 102

- Material: Steel
- Finish: Zinc Blue Plating

Adjustable Handle Lock



CUT OUT