

For Product Step File or 3D Model Send a Request Mail To info@nrack.com

Key Locks



Photo View



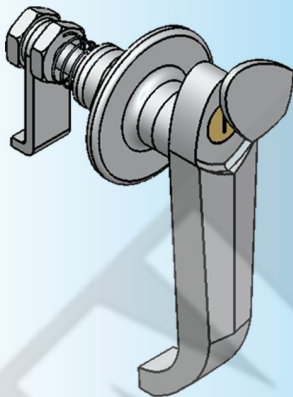
Panel Locks

Plane Locks

3Point Locks (Round & Flat)

Handle & Knobs

3D Rendered View



Hinges

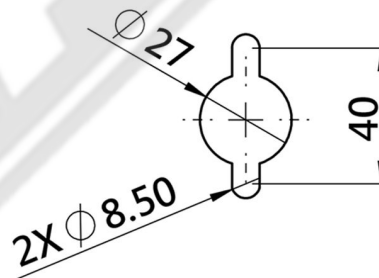
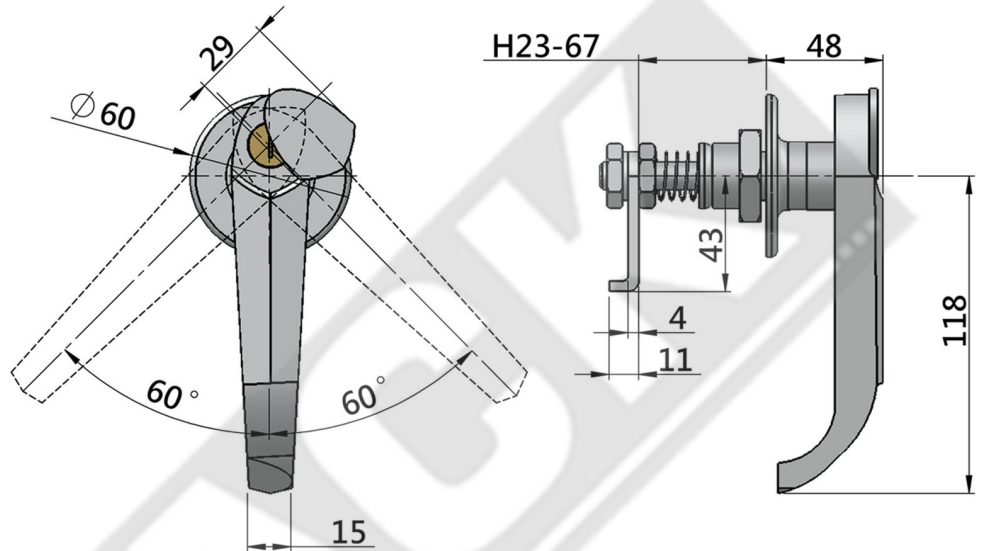
Airvents

Gasketing

Canopy Locks

Other Accessories

Stainless Steel



CUT OUT

MS 306-1A-1

- Material: Zinc die-casting body, nut, Zinc plating cam
- Finish :Bright chrome plating
- Panel thickness: 1~10mm

Product no.	Rotation angle	Weight (g)	Lot
MS 306- 1- 1	60°	464.5	50
MS 306- 1A- 1	60°	520	40
MS 306- 1A- 1L	(CW)90°	520	40
MS 306- 1A- 1R	(ACW)90°	520	40
MS 306- 1- 1L	(CW)90°	464.5	50
MS 306- 1- 1R	(ACW)90°	464.5	50