



For Product Step File or 3D Model Send a Request Mail To info@nrack.com

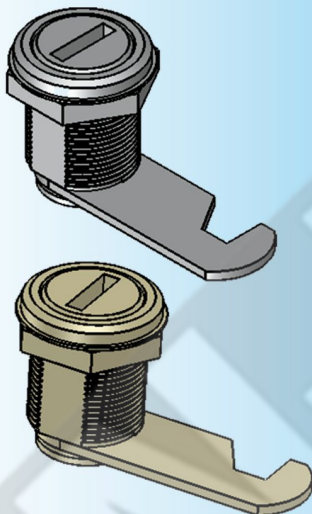
5000 DIFFERENT/UNIQUE KEY COMBINATION AVAILABLE ON REQUEST

Key Numbers Will Be On Lock Facia & Keys

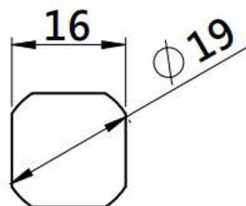
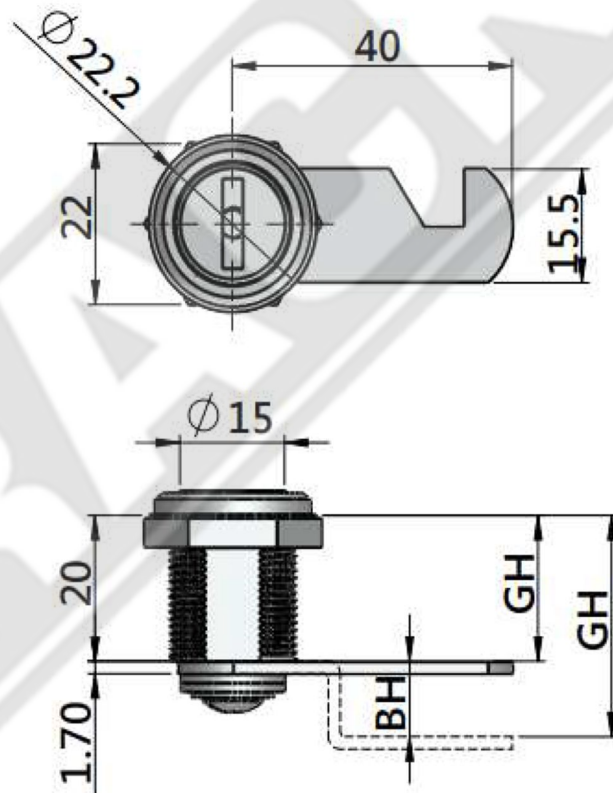
Photo View



3D Rendered View



**KL - 05 - 3**



**CUT OUT**

GRIPPING HEIGHT (GH)	BENDING HEIGHT (BH)
20	00
25	05
30	10

- Material: Zinc Die Casting
- Finish: Chrome Plating