

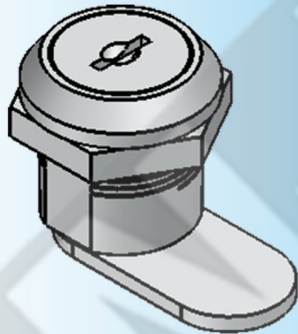
For Product Step File or 3D Model Send a Request Mail To info@nrack.com

Key Locks

Photo View



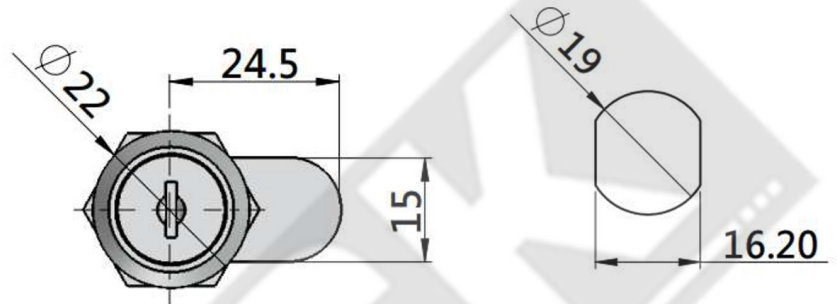
3D Rendered View



KL - 05 - 2

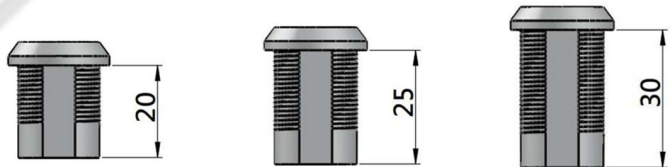
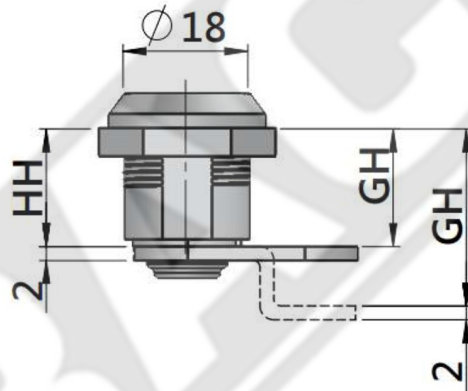
- Material: Zinc Die Casting-Body, Steel-Cam
- Finish: Chrome Plating

120 DIFFERENT KEY COMBINATION AVAILABLE ON REQUEST ALSO AVAILABLE COMMON KEY



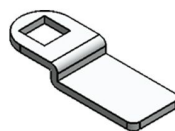
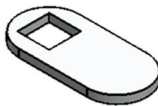
CUT OUT

HOUSING HEIGHT	GRIPPING HEIGHT
16	16
20	20
25	25
30	30
	35



AVAILABLE ON REQUEST

PRODUCT IMAGES



Available on Request