

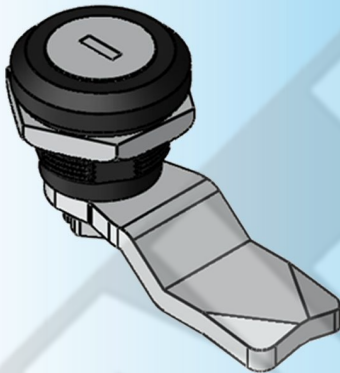
For Product Step File or 3D Model Send a Request Mail To info@nrack.com

IP 65

Photo View

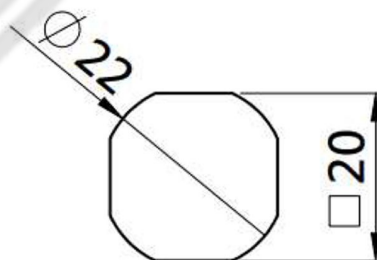
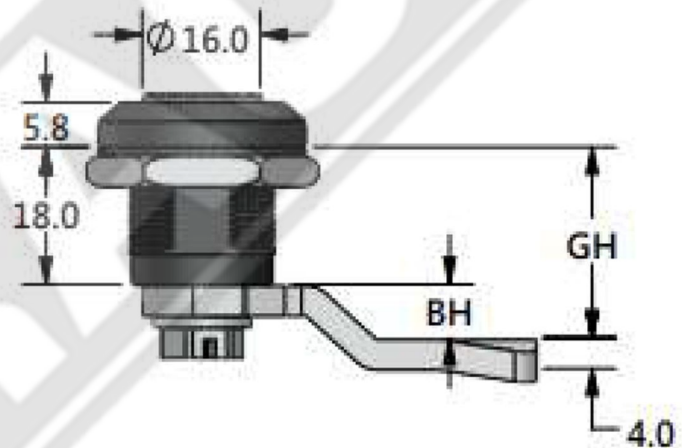
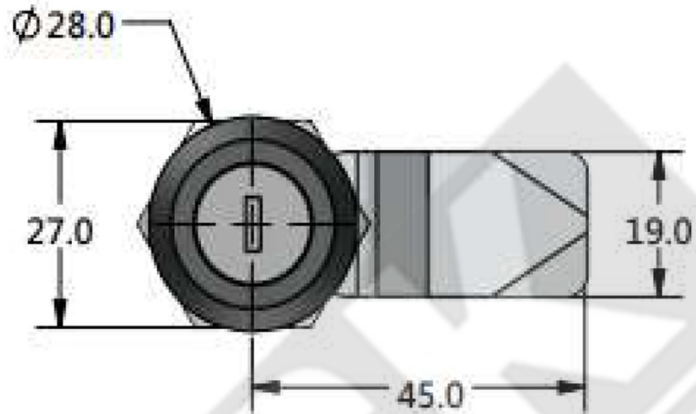


3D Rendered View



KL - 04P

- Material: PA-Body, Key-Insert, Stainless Steel Cap
- Finish: Cam, Zinc Yellow/Blue



CUT OUT

GRIPPING HEIGHT (GH)	BENDING HEIGHT (BH)
25	07
30	12
35	17
40	22
45	27