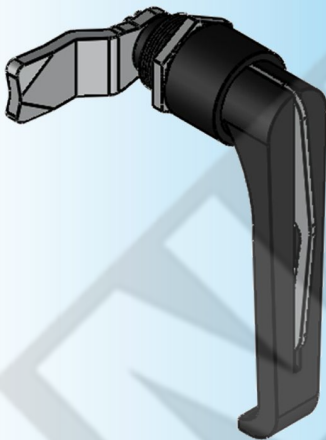


R

Photo View



3D Rendered View

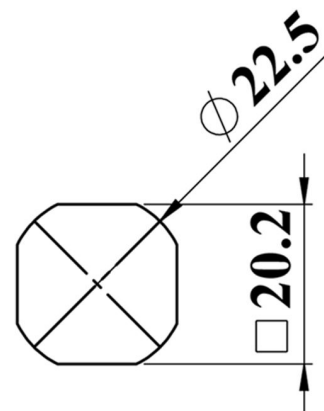
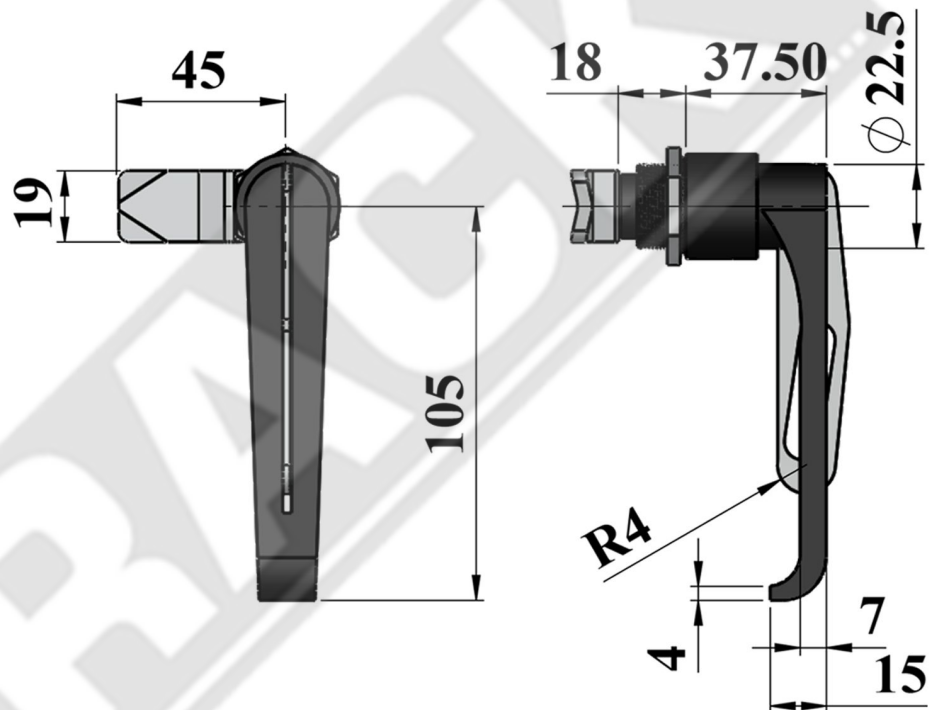


A 2057

- Material: Zinc die-casting body
Zinc plating cam, fixing parts
stainless steel padlock hook
- Finish : Black powder coated
- Panel thickness: 1~5mm

For Product Step File or 3D Model Send a Request Mail To info@nrack.com

Padlockable Handle Lock



CUT OUT