

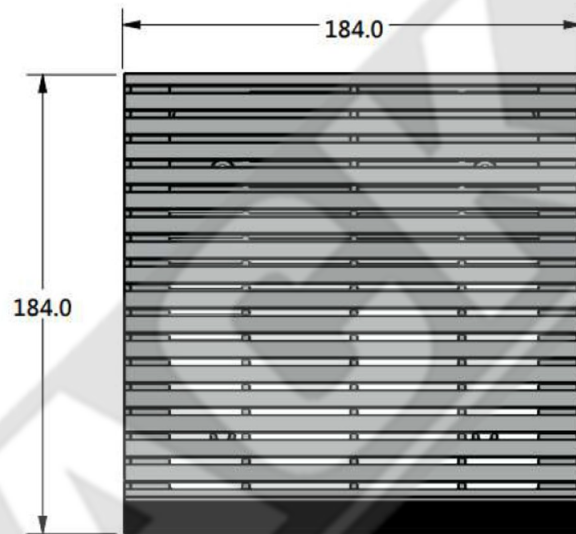
For Product Step File or 3D Model Send a Request Mail To [info@nrack.com](mailto:info@nrack.com)

Photo View

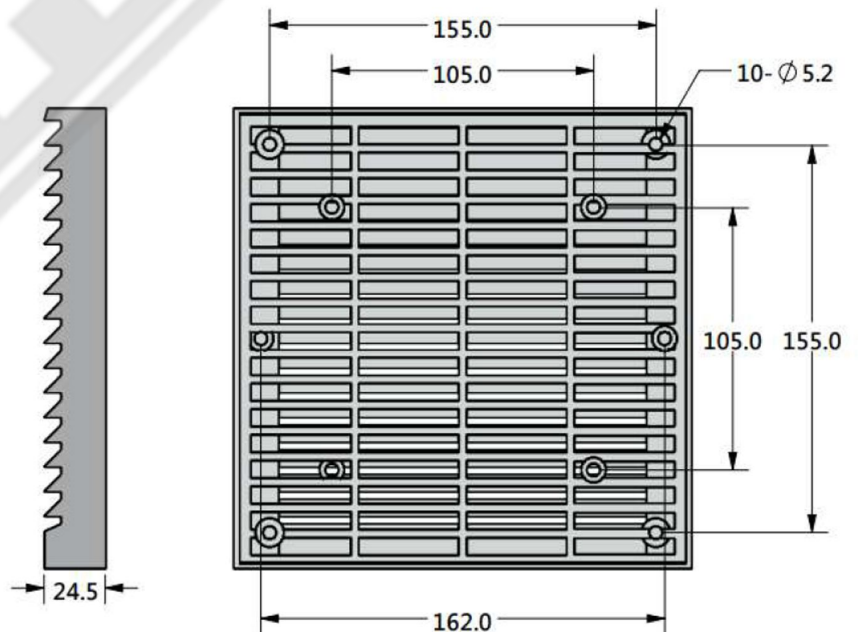
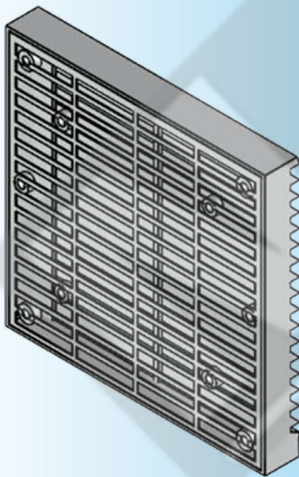


**NRF - 11**

**Model No : IP54 FK55**



3D Rendered View



**Fan & Filters**