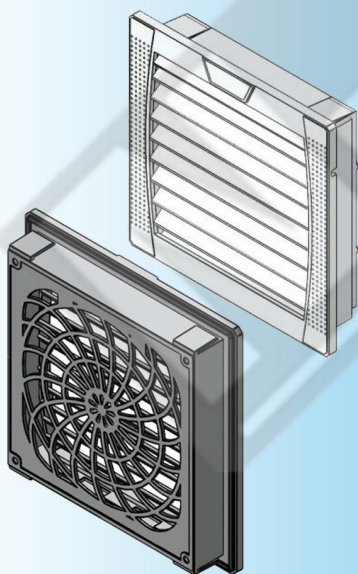


For Product Step File or 3D Model Send a Request Mail To info@nrack.com

Photo View

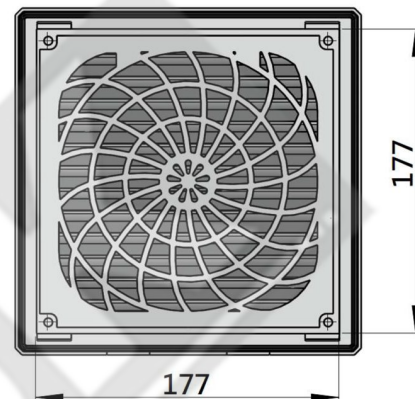
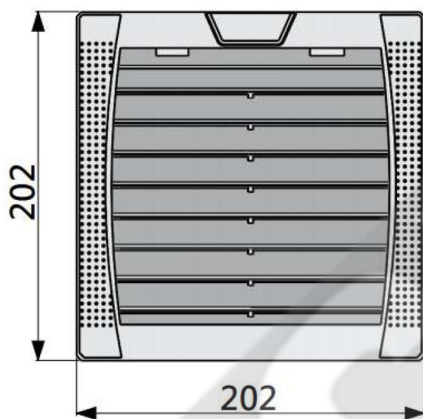


3D Rendered View

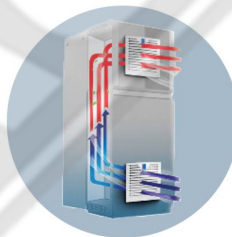


Model No : FF202

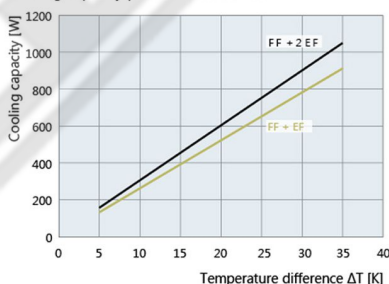
Filter Outer Size : 202 x 202
Cut out : 177 x 177



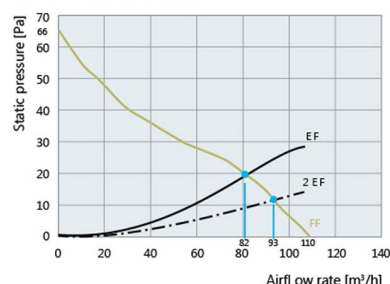
IP-55
Certified



Cooling capacity performance curves



Kennlinien Statischer Druck



Data		FF 202				
Model	Unit	FF202.230	FF202.115	FF202.012	FF202.024	FF202.048
Rated voltage $\pm 10\%$	V	AC 50/60			DC	
Unimpeded air flow	m³/h	IP54-110/125			IP55-100/110	
Combined air volume	m³/h	IP54-82/93 IP55-55/64				
Power	W	19/18	20/20	5	5	5
Current	A	0.12/0.10	0.24/0.20	0.42	0.21	0.1
Noise level	dB(A)	40/40			40	
Type of connection		Terminal row				
Protection level		NEMA type 12 - standard filter				
Filtration efficiency	%	88				
Filter pad performance level		G3				
Duty cycle	%	100				
Bearing type		sleeve bearing			ball bearing	
Service life	h	37,500	40,000	62,500		
Temperature range	°C/°F	-40...+70/-40...+131				
Design		made of injection-moulded thermoplastic, self-extinguishing UL 94 VO				
Colour		RAL 7035, different colours on request				

Fan & Filters