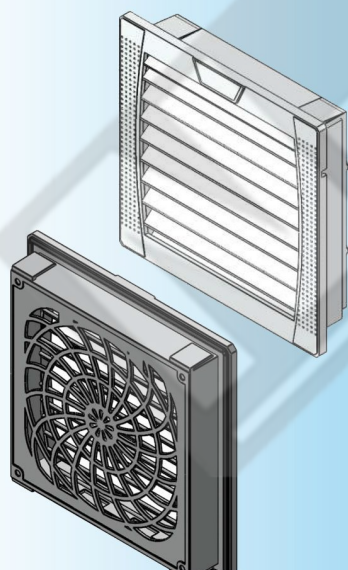


For Product Step File or 3D Model Send a Request Mail To info@nrack.com

Photo View



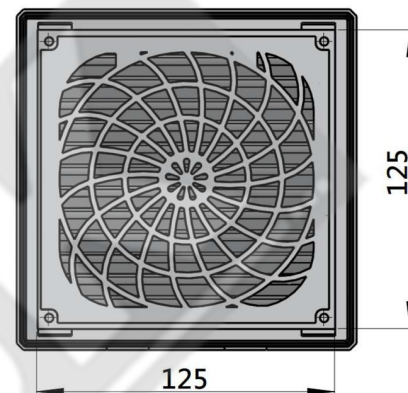
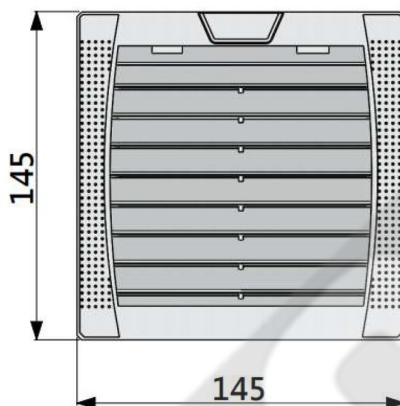
3D Rendered View



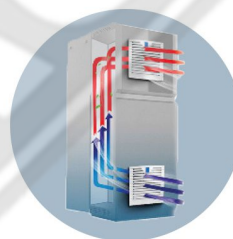
Model No : FF145

Filter Outer Size : 145 x 145

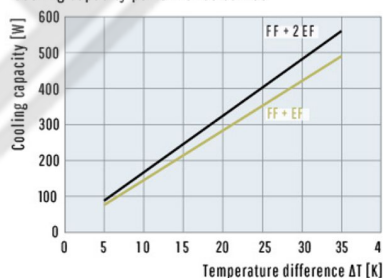
Cut out : 125 x 125



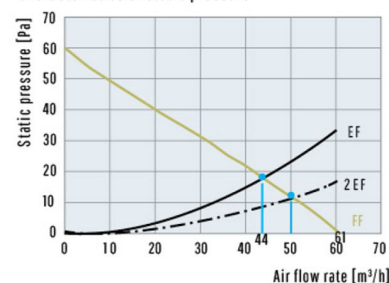
IP-55
Certified



Cooling capacity performance curves



Characteristics of static pressure



Model FF	Unit	FF145.230	FF145.115	FF145.012	FF145.024	FF145.048
Rated operating voltage.frequency	V/Hz	AC 230 /115, 50/60				DC 12/24/48, 50/60
Unimpeded air flow	m³/h					IP54-61-70
Combined air volume	m³/h					IP55-56-64
Rated Power	W	19-14	18-15	5	5	5
Rated current max.	A	0.12-0.10	0.24-0.20	0.42	0.21	0.1
Noise level	dB(A)	44			44	
Type of connection		Terminal row				
Filtration efficiency	%	88				
Filter pad performance level		G3				
Duty cycle	%	100				
Bearing type		sleeve bearing			ball bearing	
Service life	h	37,500	40,000		62,500	
Operating temperature range	°C	-40-+70				
Design		made of injection-moulded thermoplastic, self-extinguishing UL 94 V0				

Fan & Filters