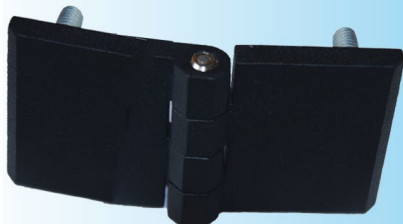
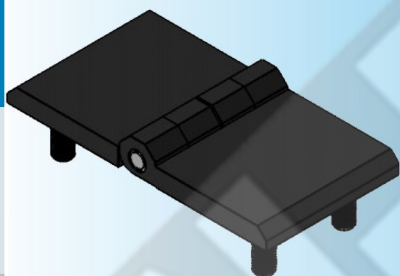




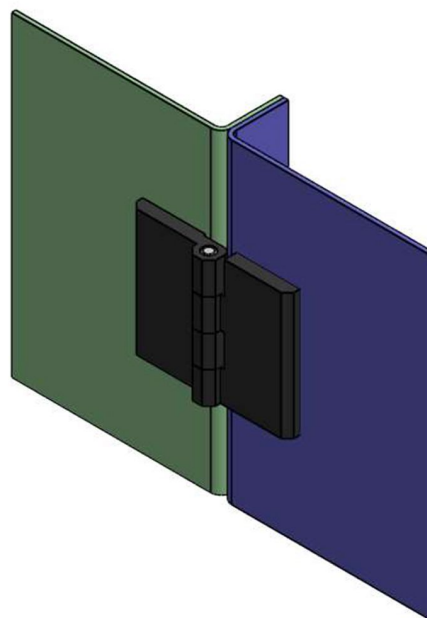
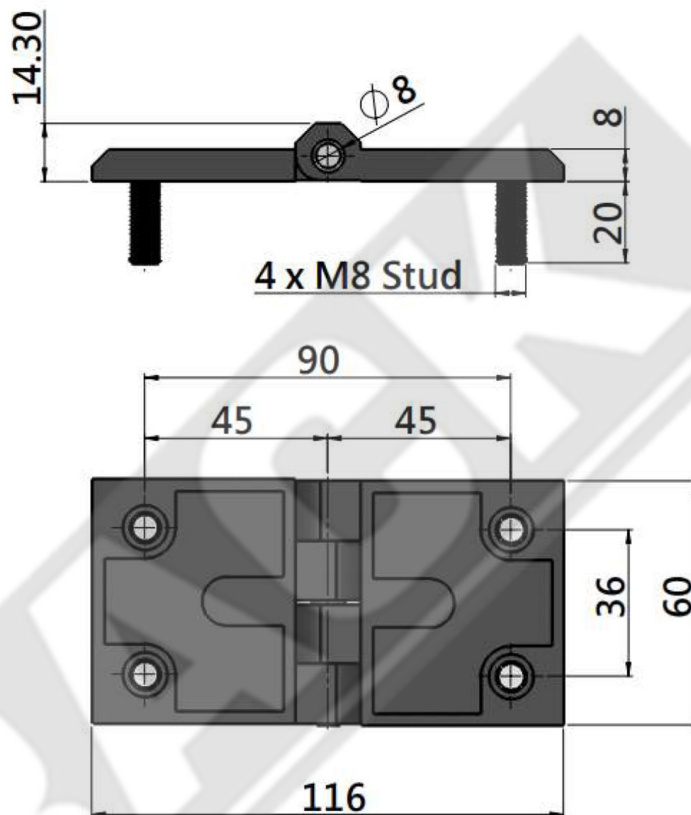
Photo View



3D Rendered View



For Product Step File or 3D Model Send a Request Mail To [info@nrack.com](mailto:info@nrack.com)



**NY 2101 A**

- Material: Zinc Die Casting, Steel Pin(Nickel Plating)
- Finish: Black Powder Coating