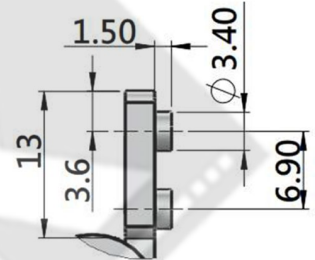
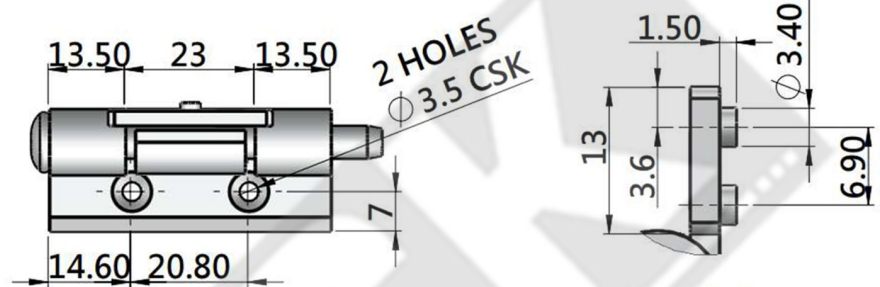


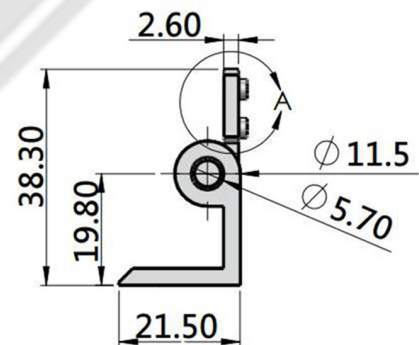
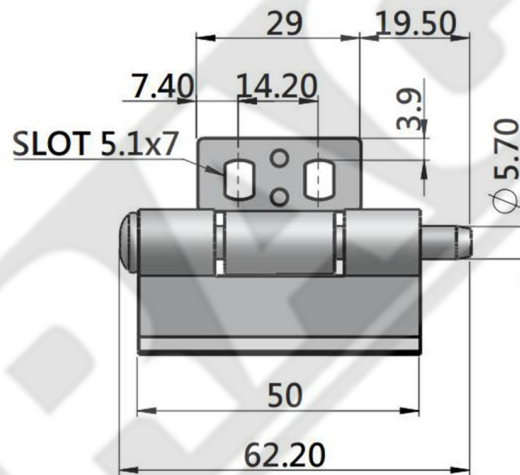
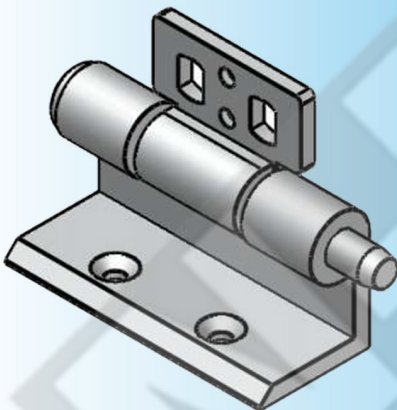
For Product Step File or 3D Model Send a Request Mail To info@nrack.com

Photo View

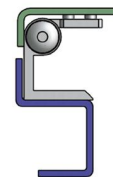
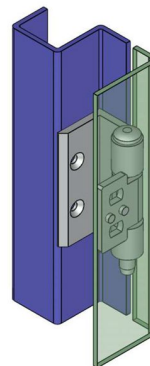


DETAIL A
SCALE 2 : 1

3D Rendered View



HN - 37



- Material: Zinc Die Casting
- Finish: Sand Blasting