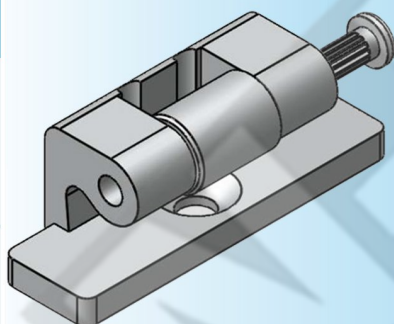


For Product Step File or 3D Model Send a Request Mail To info@nrack.com

Photo View



3D Rendered View



HN - 25

- Material: Zinc Die Casting
- Finish: Chrome Plating

