

For Product Step File or 3D Model Send a Request Mail To info@nrack.com



Key Locks

Panel Locks

Plane Locks

3Point Locks
(Round & Flat)Handle &
Knobs

Hinges

Airvents

Gasketing

Canopy Locks

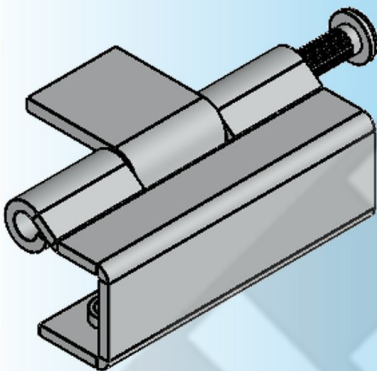
Other
Accessories

Stainless Steel

Photo View

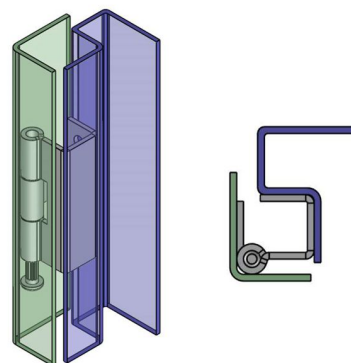
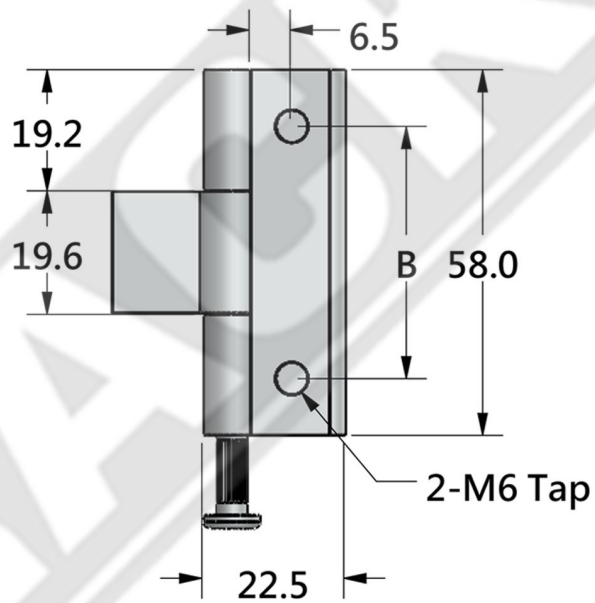
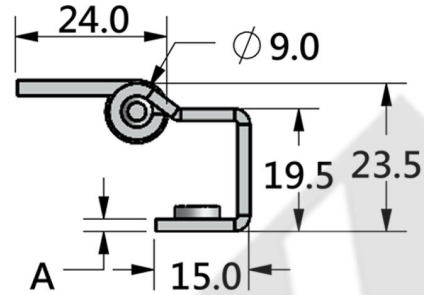


3D Rendered View



HN - 14

- Material: Steel
- Finish: Zinc Blue Plating/Yellow Plating



| Part No: | A | B |
|----------|--------------------------------------|-------|
| HN-14A | 2mm Thickness Without Plating | PLANE |
| HN-14B | 2mm Thickness Without Plating | PLANE |
| HN-14C | 2mm Thickness With Zinc Blue Plating | 40MM |