

For Product Step File or 3D Model Send a Request Mail To info@nrack.com

Photo View

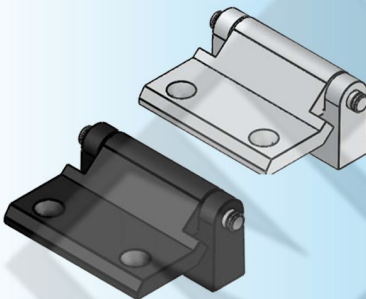


HL 111-1



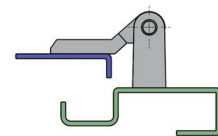
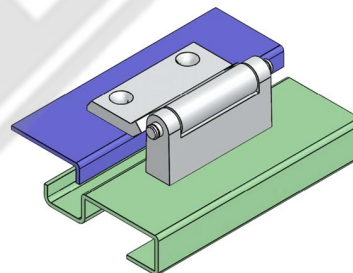
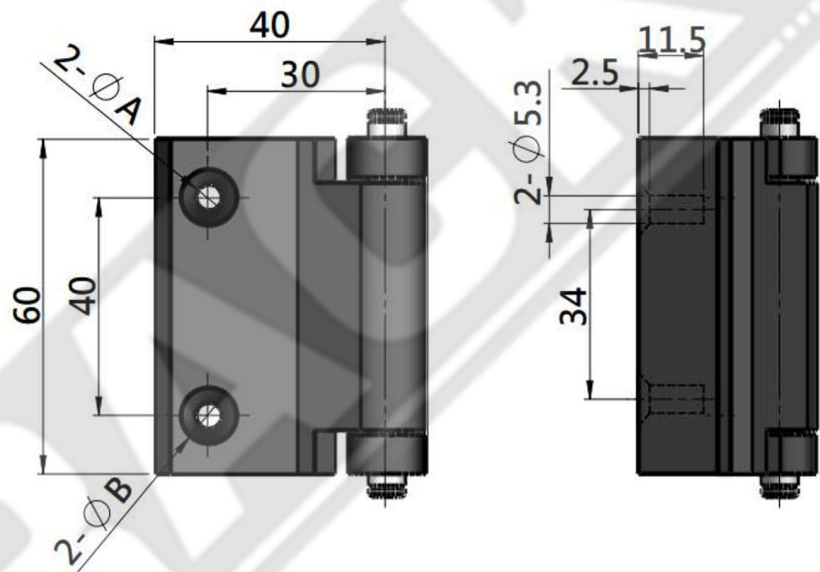
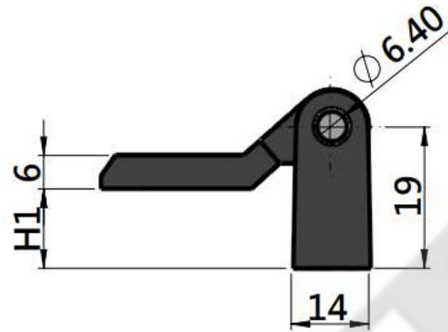
HL 111-1A

3D Rendered View



HL 111 - 1

- Material: Zinc die-casting hinge, stainless steel and nickel plating steel pin are available
- Finish: Black powder coated, Sandblasting bright chrome plating Pocked chrome plating
- Remark: 180° hinge



PRODUCT NO.	DIMENSIONS			WEIGHT (g)	LOT
	H1	A	B		
HL 111-1-1	8	5.5	10.5	161	200
HL 111-1A-1	10	5.3	10.7	166.4	200