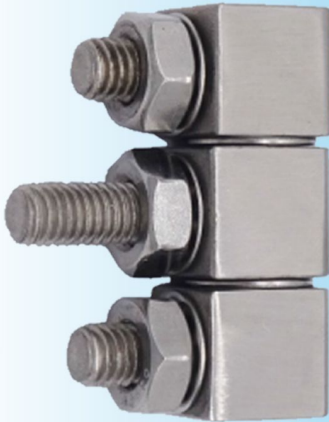


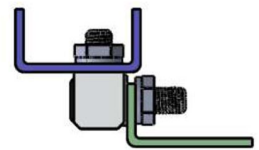
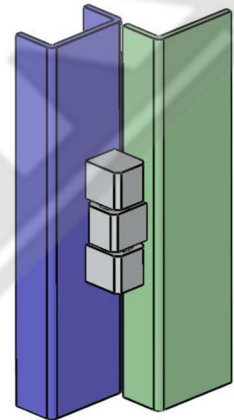
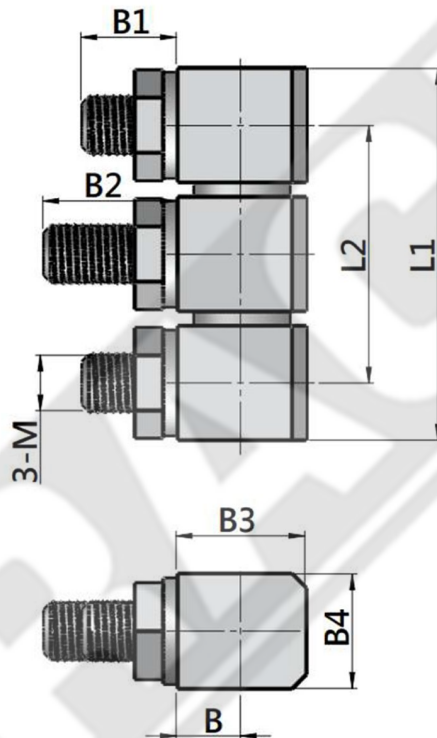
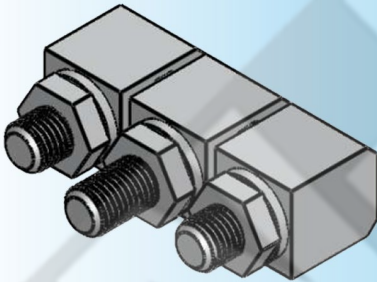


For Product Step File or 3D Model Send a Request Mail To [info@nrack.com](mailto:info@nrack.com)

### Photo View



### 3D Rendered View



| PRODUCT NO. | DIMENSIONS |    |     |     |    |      |    |   | WEIGHT (g) | LOT |
|-------------|------------|----|-----|-----|----|------|----|---|------------|-----|
|             | L1         | L2 | B   | B1  | B2 | B3   | B4 | M |            |     |
| HL 103-1    | 48         | 32 | 9.5 | 14  | 22 | 18   | 16 | 8 | 114        | 200 |
| HL 103-2    | 36         | 24 | 7.5 | 9.5 | 14 | 13.5 | 12 | 6 | 52         | 200 |

## HL 103 - 1

- Material: Steel/Stainless Steel on Request
- Finish: ZInc Blue Plating