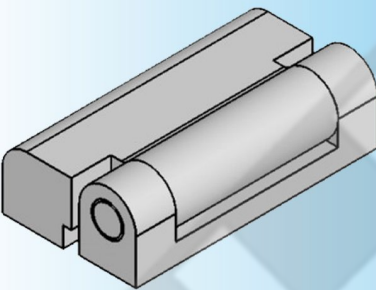




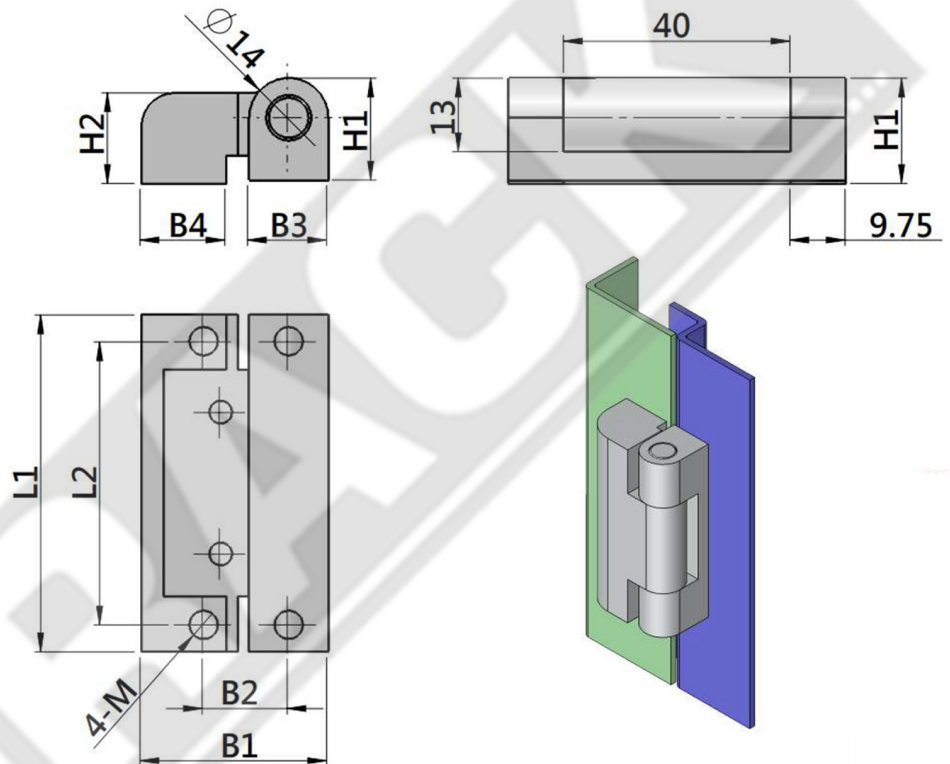
Photo View



3D Rendered View



For Product Step File or 3D Model Send a Request Mail To info@nrack.com



HL 096

DIMENSIONS									PRODUCT NUMBER			
L1	L2	B1	B2	B3	B4	H1	H2	M	Black Powder Coated	Gray Chrome Plating	Weight(g)	Lot
59.9	50	29	15	14	11	18	16	5	HL096-1.3	HL096-1.2	166	300
50	40	24.5	12.5	12	9.5	15	13	4	HL096-2.3	HL096-2.2	82	400
30	22	21.5	12.5	10	9	13	11.5	4	HL096-3.3	HL096-3.2	39	500

- Material: Zinc die-casting hinge, stainless steel and nickel plating steel pin are available
- Remark: 180° hinge