

For Product Step File or 3D Model Send a Request Mail To info@nrack.com



Key Locks

Photo View



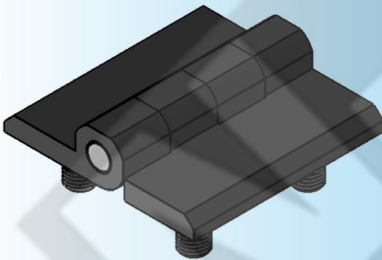
Panel Locks

Plane Locks

3Point Locks
(Round & Flat)Handle &
Knobs

Hinges

3D Rendered View



Airvents

Gasketing

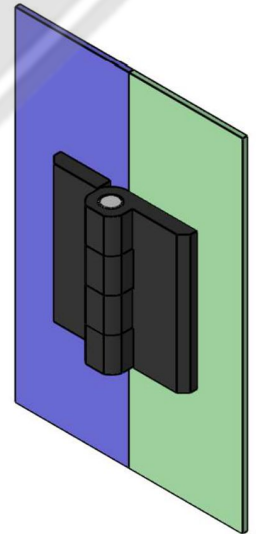
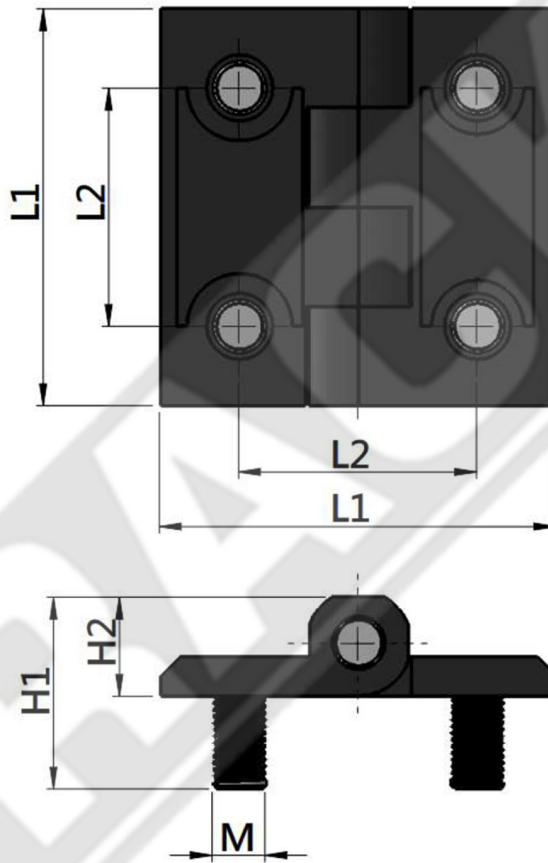
Canopy Locks

HL 051 - 1

Other
Accessories

Stainless Steel

- Material: Zinc die-casting hinge, stainless steel and nickel plating steel pin are available.
- Remark: 180° hinge



Dimensions					Product Number		Weight (g)	Lot
L1	L2	H1	H2	M	Black Powder Coated	Bright Chrome Plating.		
60	36	29	15	8	HL051-1.3	HL051-1.1	208	150
51	30	25	12	6	HL051-2.3	HL051-2.1	119.5	200
40	25	21	9	5	HL051-3.3	HL051-3.1	62	400