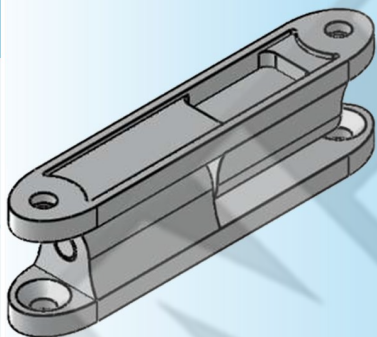




Photo View



3D Rendered View



HL 032

- Material: Zinc Die Casting
- Finish: Chrome Plating

For Product Step File or 3D Model Send a Request Mail To info@nrack.com

