

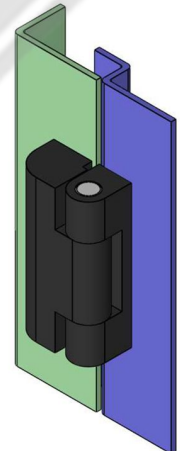
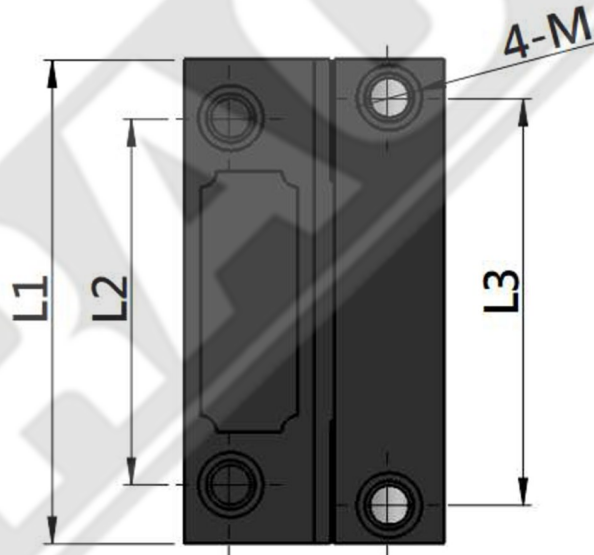
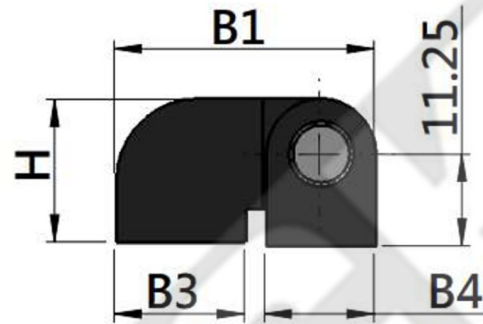
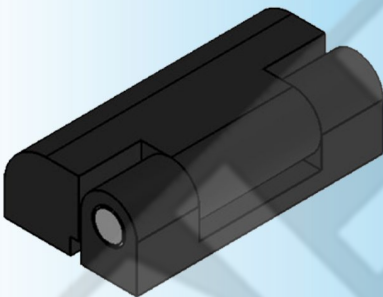


For Product Step File or 3D Model Send a Request Mail To info@nrack.com

Photo View



3D Rendered View



## HL 023 - 1

| DIMENSIONS |    |    |      |      |      |      |      |   |                     | PRODUCT NUMBER       |            |     |                     |                      |            |     |  |
|------------|----|----|------|------|------|------|------|---|---------------------|----------------------|------------|-----|---------------------|----------------------|------------|-----|--|
| L1         | L2 | L3 | B1   | B2   | B3   | B4   | H    | M | Without torque      |                      |            |     | Torque Hinge        |                      |            |     |  |
|            |    |    |      |      |      |      |      |   | Black Powder Coated | Gray Chrome Plating. | Weight (g) | Lot | Black Powder Coated | Gray Chrome Plating. | Weight (g) | Lot |  |
| 59.5       | 50 | 45 | 34   | 19.5 | 17.5 | 13.5 | 17.5 | 5 | HL023-1.3           | HL023-1.2            | 165        | 200 | HL023-1Z3           | HL023-1Z2            | 165        | 200 |  |
| 30         | 22 | 22 | 28.5 | 18.5 | 15.5 | 10   | 13   | 4 | HL023-2.3           | HL023-2.2            | 42.5       | 400 | HL023-2Z3           | HL023-2Z2            | 42.5       | 400 |  |
| 30         | 22 | 22 | 22   | 13   | 9    | 10   | 13   | 4 | HL023-3.3           | HL023-3.2            | 43         | 500 | HL023-3Z3           | HL023-3Z2            | 43         | 500 |  |

- Material: Zinc die-casting hinge, stainless steel and nickel plating steel pin are available
- Remark: 180° hinge