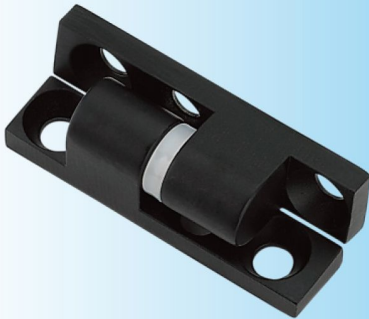
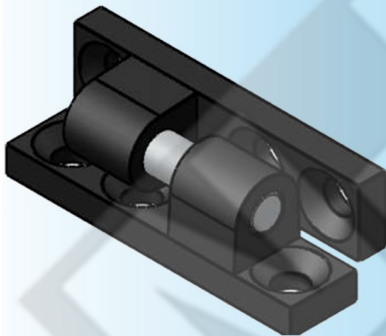




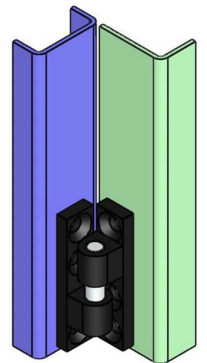
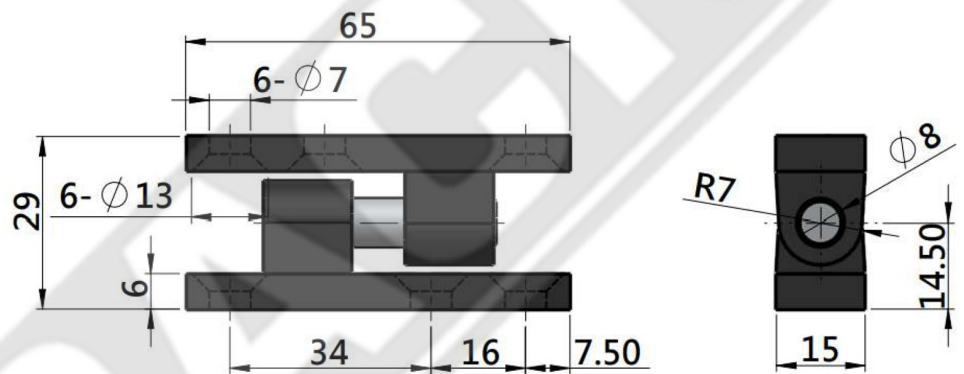
Photo View



3D Rendered View



For Product Step File or 3D Model Send a Request Mail To info@nrack.com



Product no.	Weight (g)	Lot
HL022	106	300

HL 022

- Material: Zinc die-casting hinge, stainless steel and nickel plating steel pin are available
- Finish: Black powder coated
- Remark: 180° hinge.