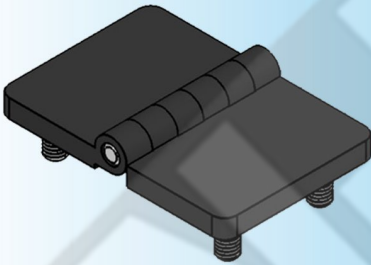




Photo View



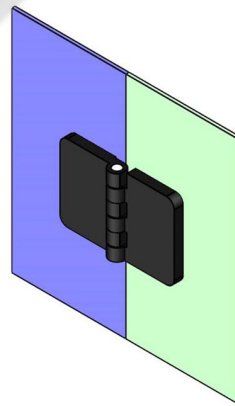
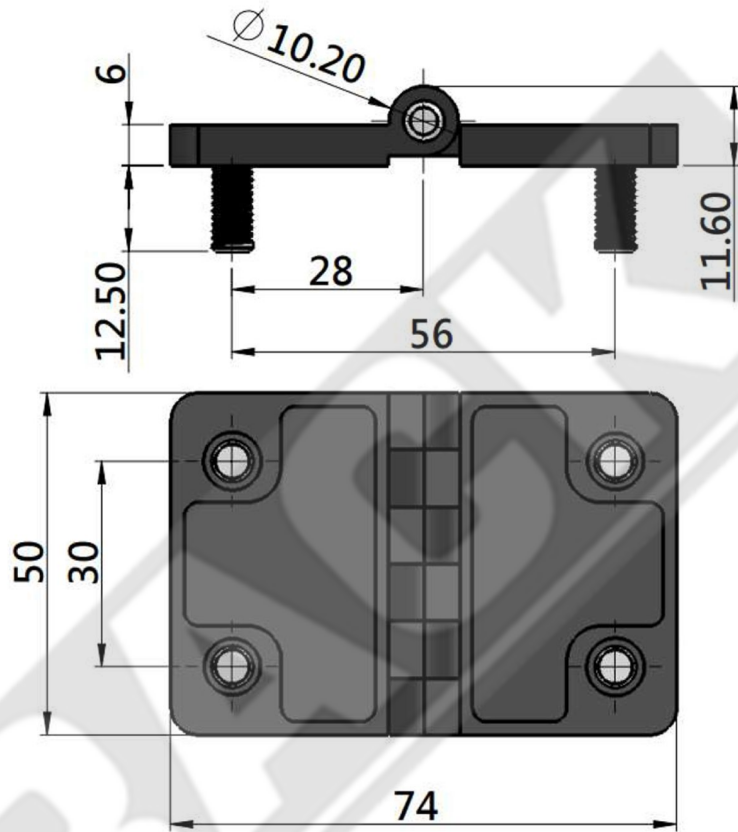
3D Rendered View



HL 021-2/2A

- Material: Zinc die-casting hinge, stainless steel and nickel plating steel pin are available
- Finish: Black powder coated
- Remark: 180° hinge.

For Product Step File or 3D Model Send a Request Mail To info@nrack.com



Product no.	Dimensions		Weight (g)	Lot
	L1	L2		
HL021- 1	90	12.5	232	100
HL021- 2	50	12.5	137	200
HL021- 2A	50	12.5	128.7	200