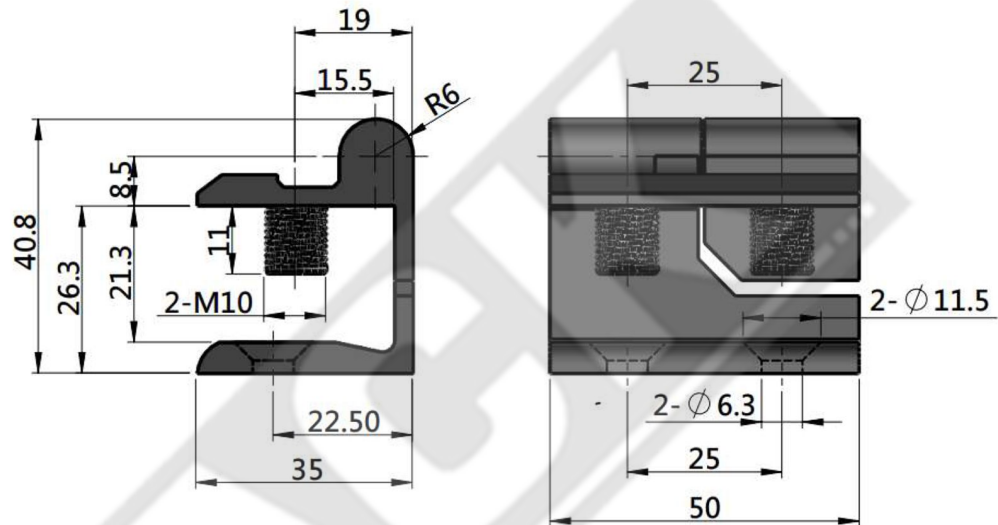


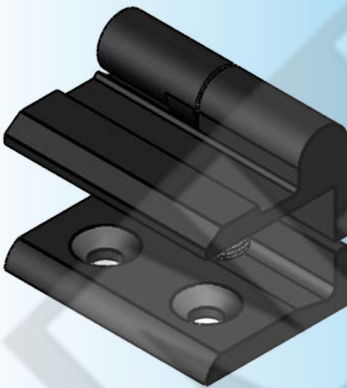
For Product Step File or 3D Model Send a Request Mail To info@nrack.com



Photo View



3D Rendered View



HL006L - 1

- Material: Zinc die-casting hinge, stainless steel and nickel plating steel pin are available, brass washer
- Finish: Black Powder Coating
- Remark: 180° hinge

Product Number											
Left hinge						Right hinge					
fixed hinge with 6.3 counterbore	Weight (g)	Lot	fixed hinge with M10's screw	Weight (g)	Lot	fixed hinge with 6.3 counterbore	Weight (g)	Lot	fixed hinge with M10's screw	Weight (g)	Lot
HL006L-1	157	150	HL006L-2	218	150	HL006R-1	218	150	HL006R-2	218	150