

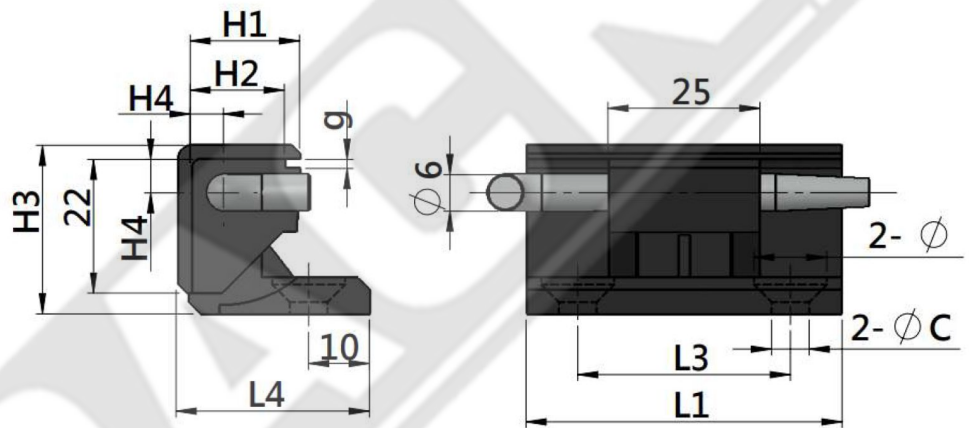
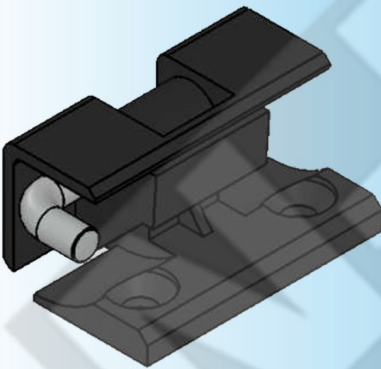
For Product Step File or 3D Model Send a Request Mail To info@nrack.com



Photo View



3D Rendered View



DIMENSIONS											PRODUCT NUMBER			
H1	H2	H3	H4	L1	L2	L3	L4	φ C	g	φ	Black Powder Coated	Bright Chrome Plating	Weight (g)	Lot
18	15.5	27.5	5.5	52	40	35	33	6.2	2.3	12	HL 004-1.3	HL 004-1.1	140	200
16	13	27	5.5	42	24.5	25	32.7	5.3	2.2	11.5	HL 004-2.3	HL 004-2.1	135	200
17.5	14	28	6.2	42	25	25	33	6.2	3.2	12	HL 004-3.3	HL 004-3.1	129	200

HL004 - 1

- Material: Zinc die-casting hinge, stainless steel and nickel plating steel pin are available
- Finish: Black powder coated
- Remark: 180° hinge