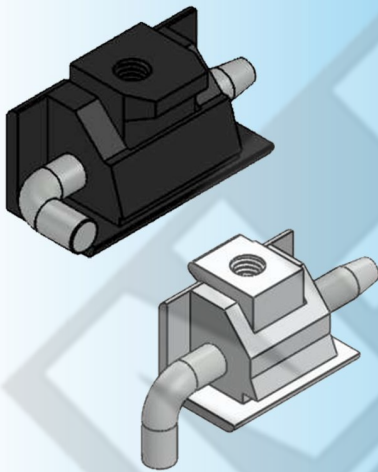




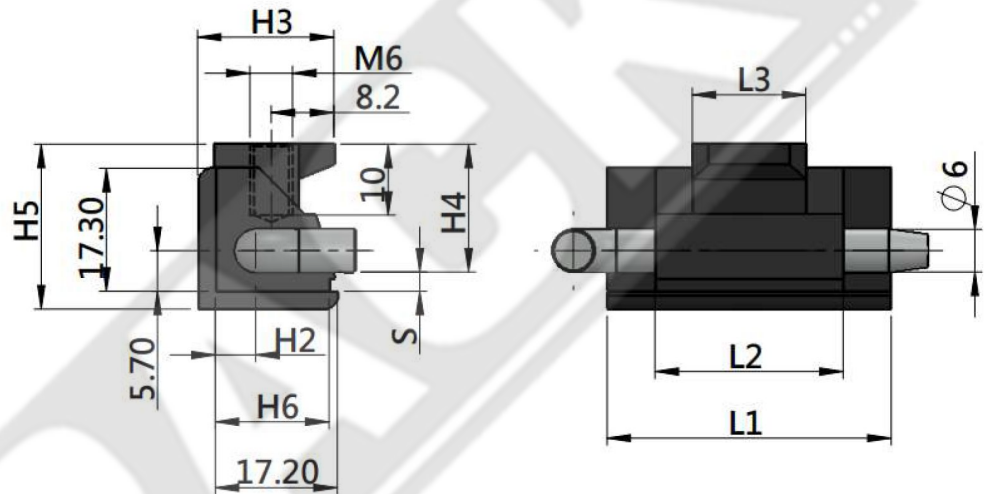
Photo View



3D Rendered View



For Product Step File or 3D Model Send a Request Mail To info@nrack.com



HL003 - 1

- Material: Zinc die-casting hinge, stainless steel and nickel plating steel pin are available
- Finish: Black powder coated
- Remark: 180° hinge

DIMENSIONS											PRODUCT NUMBER			
H1	H2	H3	H4	H5	H6	L1	L2	L3	S	Black Powder Coated	Bright Chrome Plating	Weight (g)	Lot	
17.2	5.7	18.5	17.7	23	13	40	26.5	16	2.5	HL 003-1.3	HL 003-1.1	67	300	
16	5.2	17	16.5	21	12	30	19.5	12	2.3	HL 003-2.3	HL 003-2.1	44	400	
16	5.2	17	16.5	21	12	30	19.5	12	2.3	Stainless Steel	HL 003-2S	50	400	