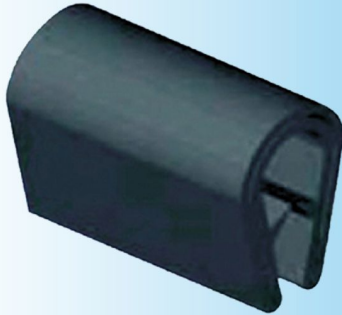
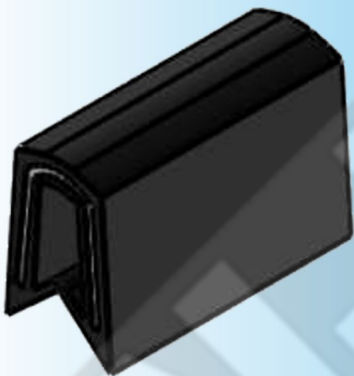


Photo View



3D Rendered View

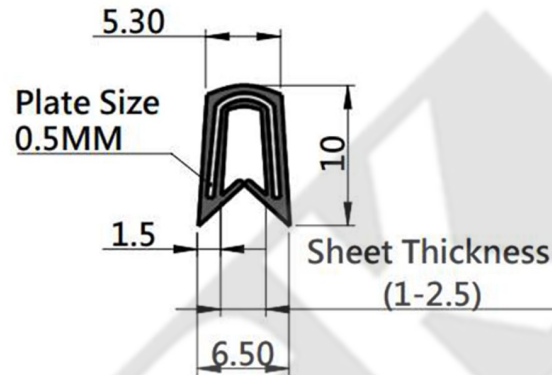


MFT - 011

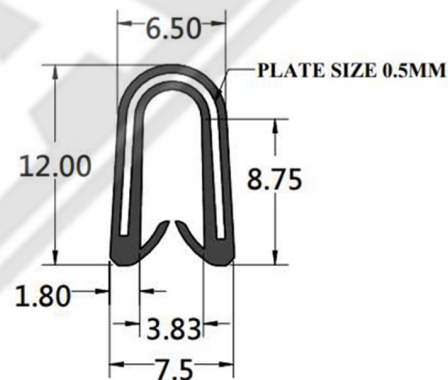
- Material: PVC With Steel Spring Core

For Product Step File or 3D Model Send a Request Mail To info@nrack.com

MFT - 011S



MFT - 011M



MFT - 011B

